



EON618S

by HARMAN

' F B U V S F T

- ▶ JBL Premium Transducers
- ▶ 1000 W highly efficient Class-D amplification
- ▶ Maximum SPL Output: 134dB
- ▶ System Type: Self powered 18" Subwoofer
- ▶ Frequency Range (-10dB): 31Hz - 150Hz
- ▶ Frequency Response (-3dB): 42.5Hz - 150Hz
- ▶ Bluetooth Control
 - 3 Parametric EQs + Hi & Lo Shelf
 - Gain and Delay
 - Save and Recall settings
 - Polarity Inversion
- ▶ JBL Engineered Crossover Presets
 - 80 Hz
 - 100 Hz
 - 120 Hz
 - EON
- ▶ M20 Pole Cup
- ▶ Rugged, stage-ready DuraTex enclosure

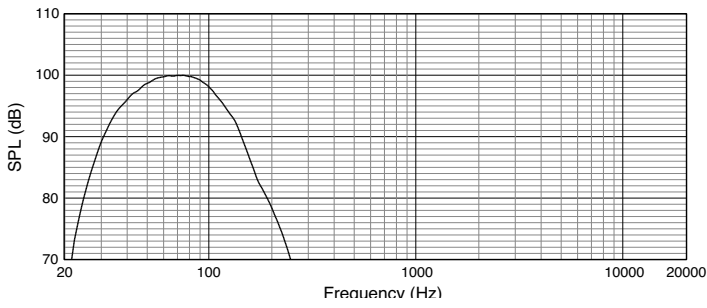
" Q Q M J D B U J P O T

- ▶ The EON618S is a powered portable PA subwoofer in the EON600 series from JBL Professional. It has been designed to deliver class leading performance in a variety of applications supporting EON600 and other full range systems. A lightweight, highly useful enclosure allows the speaker to be easily transported and set up wherever low frequency reinforcement is needed.
- ▶ The EON618S enclosure has been designed to maximize cabinet volume while maintaining a highly transportable footprint. This has led to extraordinary Low Frequency production, making the EON618S the loudest, lowest, cleanest subwoofer in its class
- ▶ Selectable crossover presets are available through the EON Connect app. By default, the EON618S uses the "EON" tuning, which is a 100 Hz crossover that has been specifically tuned to compliment the full range EON600 speakers. Generic 80Hz, 100Hz, and 120Hz tunings are also available for use with other full range systems.
- ▶ Bluetooth control over DSP Parameters, presets, and master volume allows users to control up to 4 speakers at one time with iOS and android devices. Polarity inversion, 3 PEQs, and a Hi- and Lo-shelf are built into the speaker and accessible via the EON Connect app.

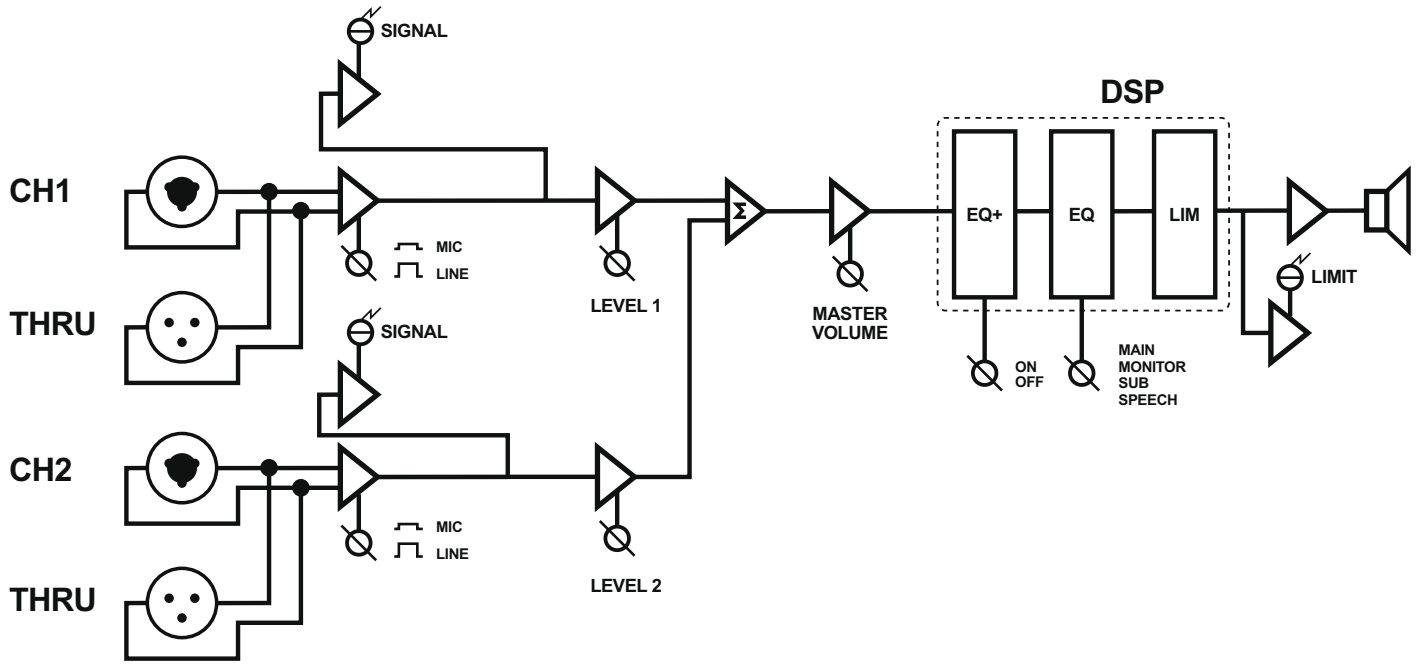
4 Q F D J 3/4 D B U J P O T

| | |
|------------|--------------------------------------------------------------------------------------------------------------------------------------------------------|
| System: | System Type: Self powered 18" Subwoofer |
| | Maximum SPL Output: 134 dB |
| | Frequency Range (-10 dB): 31Hz - 150Hz |
| | Frequency Response (-3 dB): 42.5Hz - 150Hz |
| Amplifier: | System Power Rating: 1000W Peak, 500W Continuous |
| | Input Impedance: 22k (balanced) |
| | Line Input Gain: 0 to 36 dBu |
| | Mic Input Gain: - |
| | Maximum Input Level: |
| | Line: +14dBu |
| | Mic: - |
| | Connectors: 2 x Balanced XLR-1/4" combination inputs; 2 x male XLR loop thru out |
| | LED Indicators: Front Power LED (Defeatable, white) Rear Power LED (White), Bluetooth (Blue), EQ+ (Green) Preset (Green) Signal (Green) Limit (Orange) |
| | Cooling: Passive |
| | AC Power Input: 100-120VAC 50/60Hz; 230-240VAC 50/60Hz |
| | AC Power Consumption (120V~): 1/8th Power - 1.14A (Max), 1/4th Power - 1.71A (Max), 1/3rd Power - 2.03A (Max) |
| Speaker: | LF Driver: 1 x JBL 618H 457mm (18") woofer with 2" voice coil |
| | HF Driver: - |
| | Coverage Pattern: - |
| | Crossover Frequency: Selectable; 80 Hz, 100 Hz, or 120 Hz |
| Enclosure: | Material: DuraTex coated wooden enclosure |
| | Monitor Angle: - |
| | Suspension/Mounting: M20 threaded Pole Cup |
| | Handles: 2 |
| | Grille: Powder coated, Obsidian, perforated steel with acoustically transparent black cloth backing |
| | Dimensions (L x W x H): 582mm x 668mm x 645mm (22.9" x 26.3" x 25.4") |
| | Shipping Dimensions (L x W x H): 803mm x 768mm x 631mm (31.6" x 30.2" x 25.1") |
| | Weight: 78.2 lbs (35.5 kg) |
| | Shipping Weight: 91.0 lbs (41.2 kg) |

'SFRVFODZ 3FTQPOTF .BJO 5VOJOH

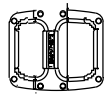
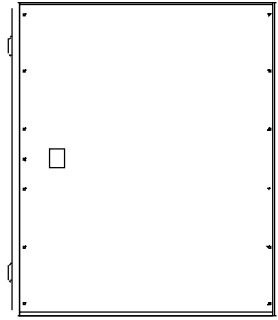


#MPDL %JBHSBN



▶

% JNFOTJPOT



by HARMAN

JBL Professional
8500 Balboa Boulevard, P.O. Box 2200
Northridge, California 91329 U.S.A.

© Copyright 2015 JBL Professional
www.jblpro.com

EON 618S
CRP
07/15