



GENERAL

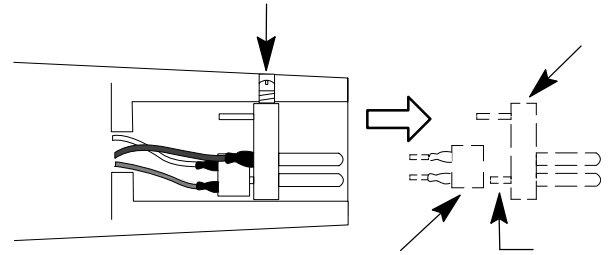


FIGURE 1

POLARITY

FEATURES

MODEL VARIATIONS

Model 565SD-CN:

Model 565SD-LC:

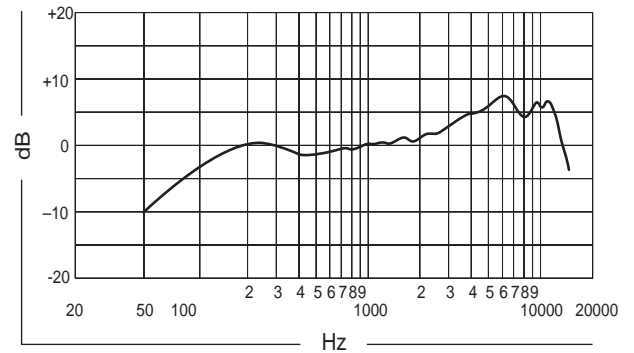
CONNECTIONS

IMPEDANCE SELECTION

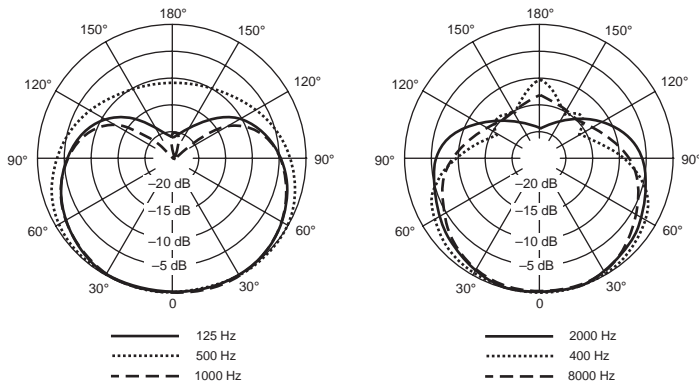
SPECIFICATIONS

Type

Frequency Response



Polar Pattern

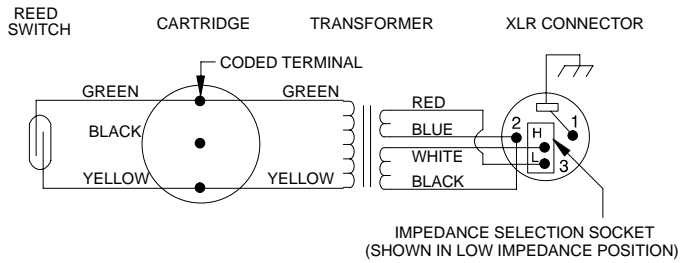


Impedance

Output Level



Polarity



Switch

o

Cartridge Shock Mount

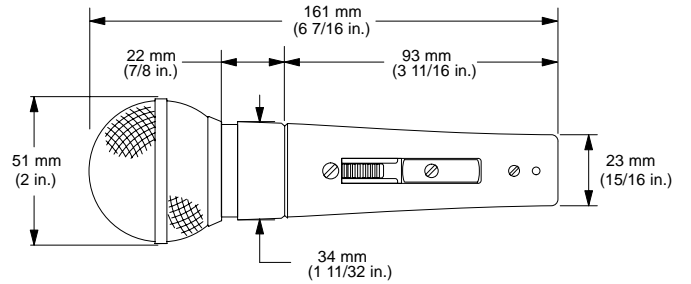
Cable

Swivel Adapter

o

Case

Dimensions



Net Weight (less cable)

CERTIFICATIONS

FURNISHED ACCESSORY

REPLACEMENT PARTS

OPTIONAL ACCESSORIES