

Key Features:

▶ 300 (12)

0 H .

▶ H

H

0 0

Applications:

▶ / H

▶ 322/0

0 H .

300 (12)

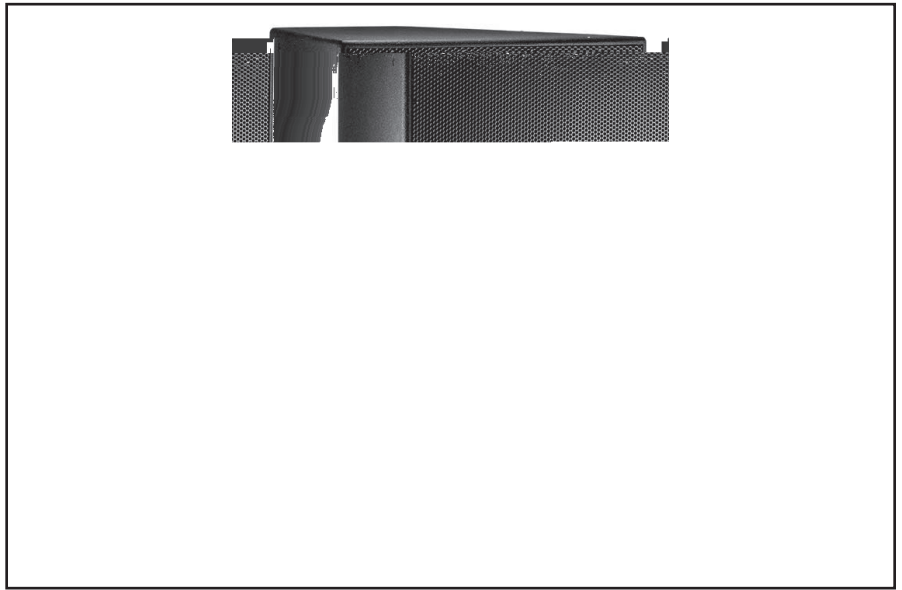
220 H

- 2H

100 ()

200 ()

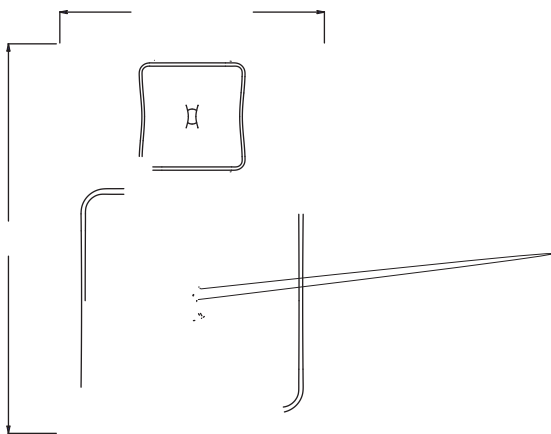
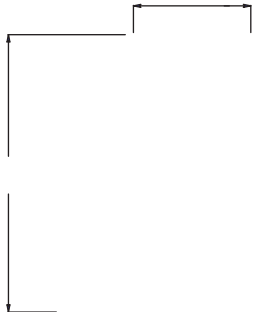
2 32H

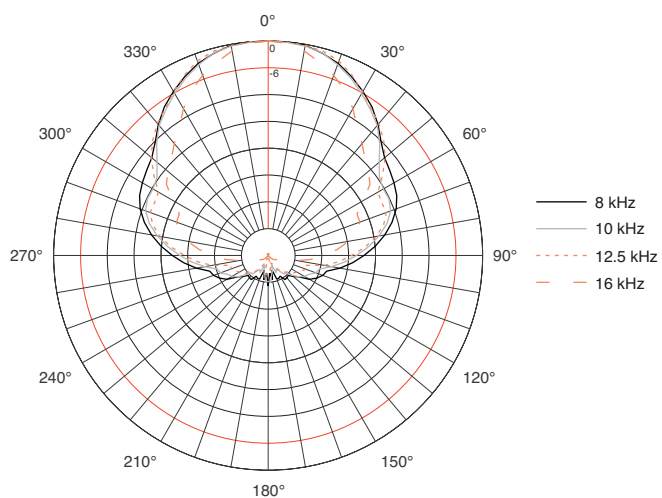
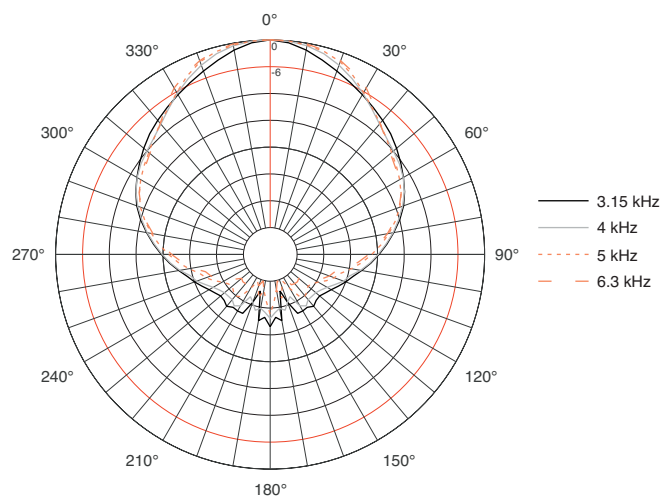
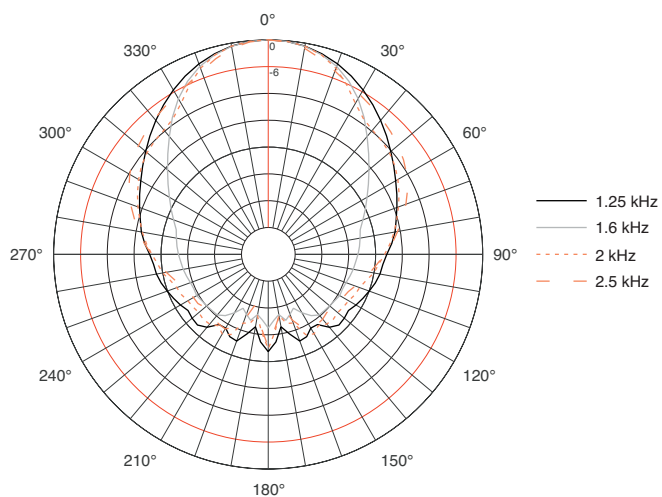
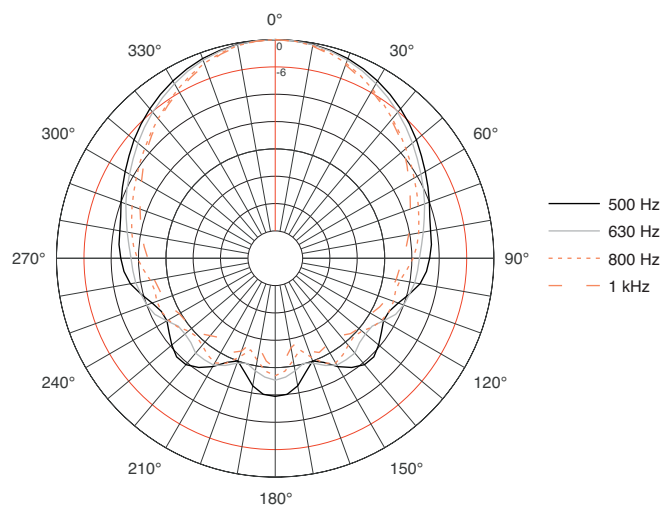
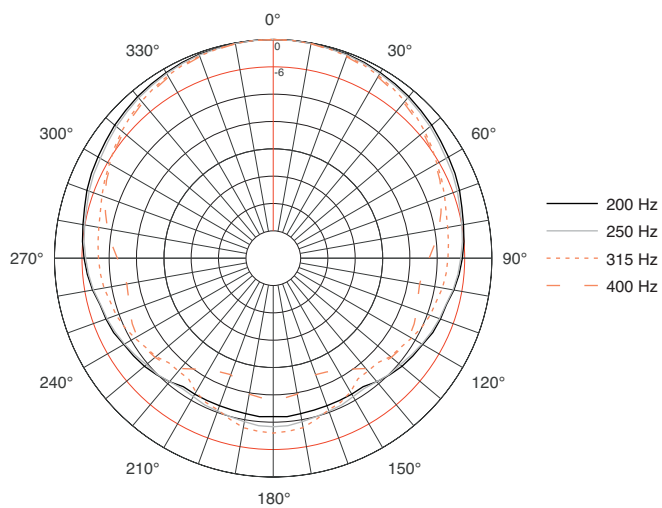


Specifications:

1 (-10)	1 H	1 H		
1 (3)	H	1 H		
	0	0		
()	22.			
()	13.			
	- / -	(-)		
	1. H			
() ³	1 00 (00)	2 . 1200 (00)	100	
	3 0 (1 00)		100	
	H (300)		2	
()		1200 (00)		
		/H 300 (1200)	100	
		12 - (13)		
		13 - (1 1)		
	H 13 - (1 1)			
	13 - (1 1)			
(1 1)	110 - (/)			
	2 220 H 300 (12)	100 ()		
(1 , 1)	(2)			
	- 2H		200 ()	
		(3)		
(1 1)	110 -			
H	2 32H, 3 (1.)		(3)	
(1 1)	11 -			
	H -H H -1 300 300 (2 2)			
		(12 12)		
	1		(/)	
	11-			
	20 (, , , 2)	10		
	(- H)			
	C			
		1		
		()		
		2 (10)		
		(.3)		
		- 10 - 3 2 .		
(H	1 3 0			
)	(3 .0 2 . 2 .)			
	(1 0)			
	22 -0000 -01	10 3		

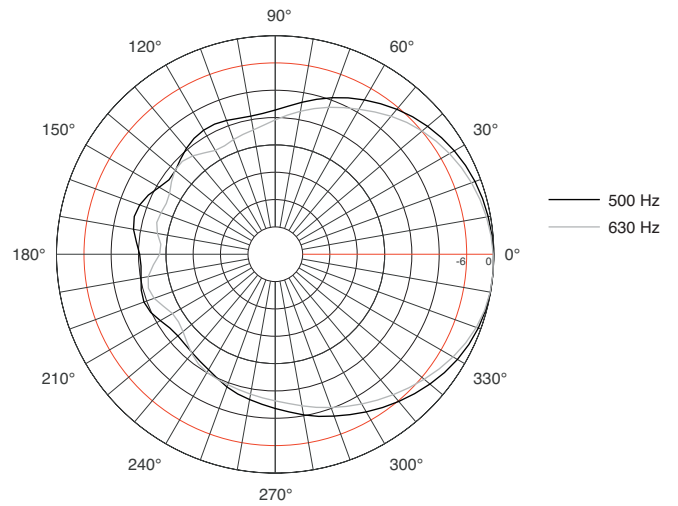
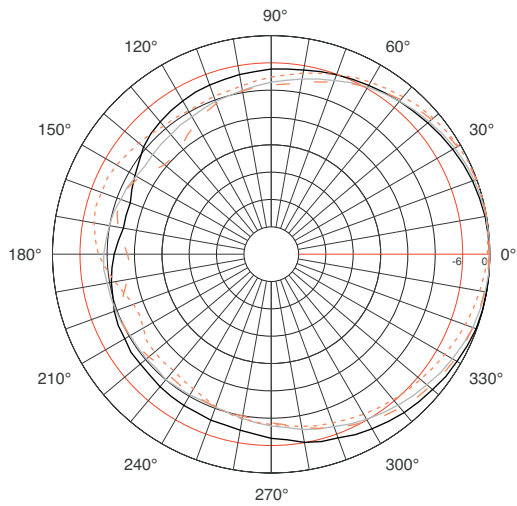
1
2
3
2 - 100 , 100





► PD6322/64 High Output Three-Way Full-Range Loudspeaker

1/3



00 , . . . 2200
132