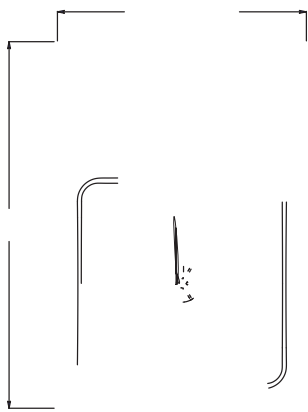


PD6200/95

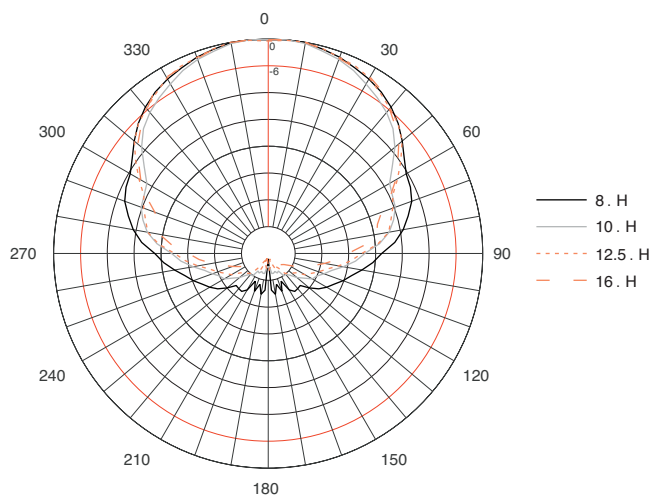
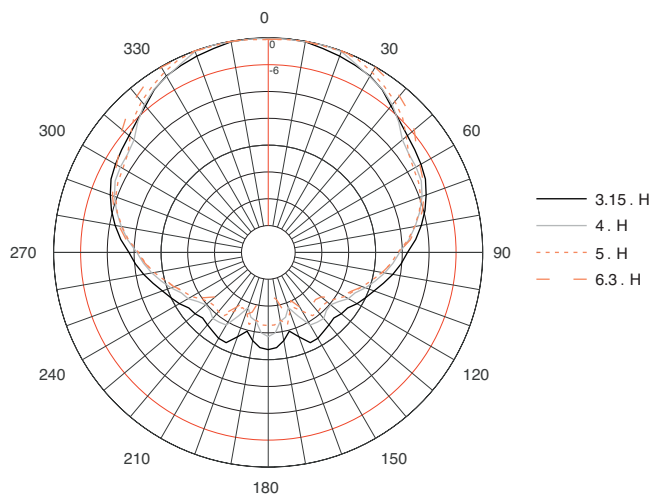
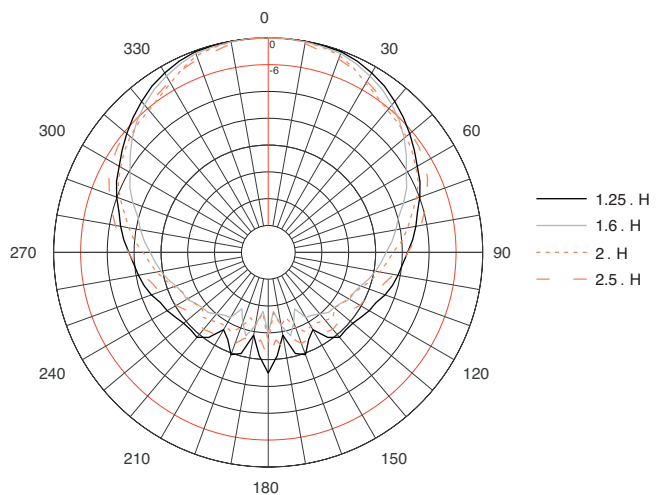
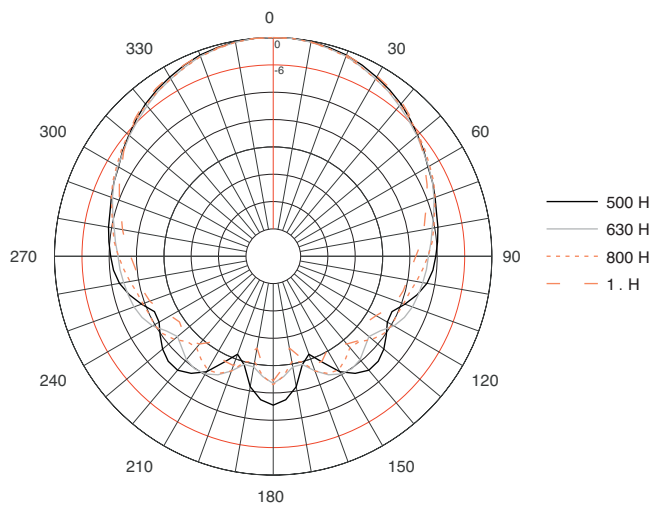
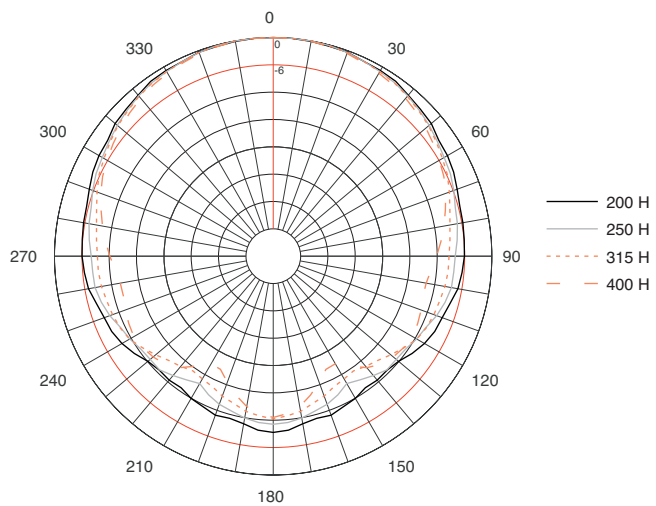


Specifications:

Frequency Range ¹ (-10 dB):	200 Hz to 17 kHz
Frequency Response ¹ (± 3 dB):	240 Hz to 15 kHz
Coverage Pattern:	90° x 50°
Directivity Factor (Q):	10.5
Directivity Index (DI):	10.2 dB
Crossover Modes:	Bi-amp/Passive switchable
Passive Crossover:	1.5 kHz
Transducer Power Ratings (AES):	MF: 350 W (1400 W peak), 100 hrs HF: 75 W (300 W peak), 2 hrs
Long-Term System Power Rating (IEC):	Passive Mode: 300 W (1200 W peak), 100 hrs.
Maximum SPL ² :	Bi-amp mode: MF: 134 dB-SPL cont avg (140 dB peak) HF: 133 dB-SPL cont avg (139 dB peak) Passive mode: 133 dB-SPL cont avg (139 dB peak)
System Sensitivity (1W @ 1m):	Passive Mode: 109 dB-SPL
Transducers:	
Mid Frequency Driver:	CMCD-82H cone mid-range compression driver with integral 200 mm (8 in) diameter Differential Drive [®] dual voice coil driver
Nominal Impedance:	8 ohms
Sensitivity ³ (1W, 1m within operational band):	109 dB-SPL
High Frequency Driver:	2432H, 38 mm (1.5 in) exit compression driver with 75 mm (3 in) voice coil
Nominal Impedance:	8 ohms
Sensitivity ³ (1W @ 1m):	114 dB-SPL
Waveguides:	MF: PT-N95MF-1 600 x 600 mm (24 x 24 in) HF: PT-H95HF-1 300 x 300 mm (12 x 12 in)
Physical:	
Enclosure:	Trapezoidal with 15 degree side angles, 16 mm (5/8 in) exterior grade 11-ply Finnish birch plywood.
Suspension Attachment:	20 points (5 top, 5 bottom, 4 each side, 2 rear), M10 threaded hardware (eyebolts NOT included, see optional accessories).
Finish:	Black DuraFlex™ finish. White (-WH) available upon request.
Optional Weather Resistant Versions:	WRC for outdoor placement where the loudspeaker will be sheltered from direct exposure to the elements. WRX for direct exposure or extreme environments, such as tropical or beach, or in areas with salt



Horizontal 1/3 Octave Polars



▶ PD6200/95 High Output Two-Way Mid/High Frequency Loudspeaker

Vertical 1/3 Octave Polars



JBL Professional
8500 Balboa Boulevard, P.O. Box 2200
Northridge, California 91329 U.S.A.

© Copyright 2014 JBL Professional
www.jblpro.com

SS PD6200/95
CRP
06/14