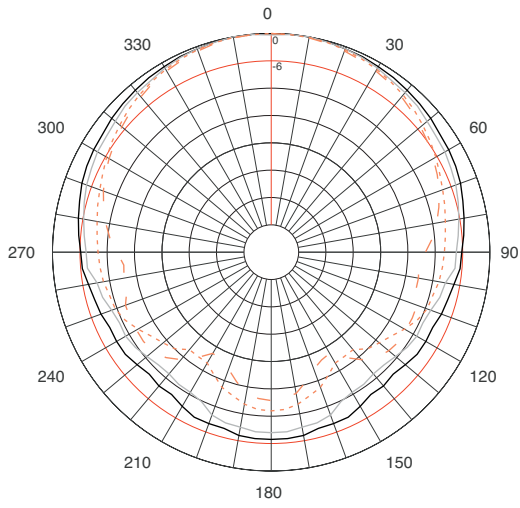
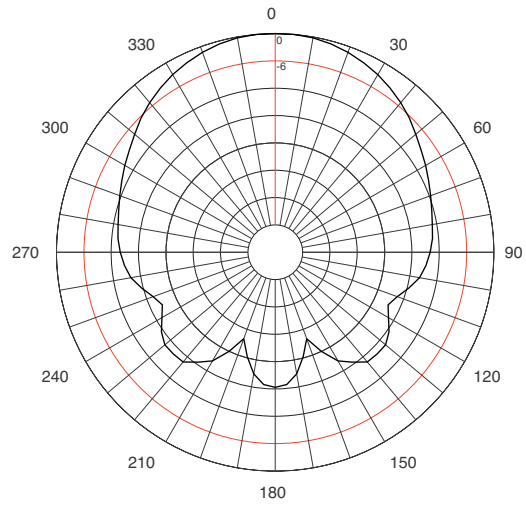


# Horizontal 1/3 Octave Polars

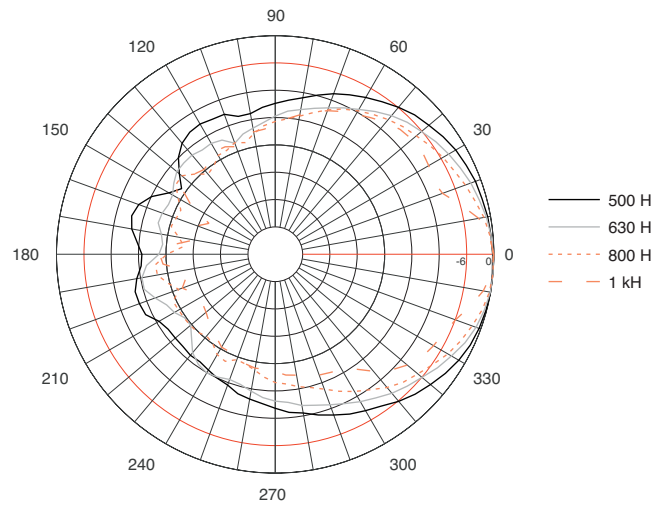
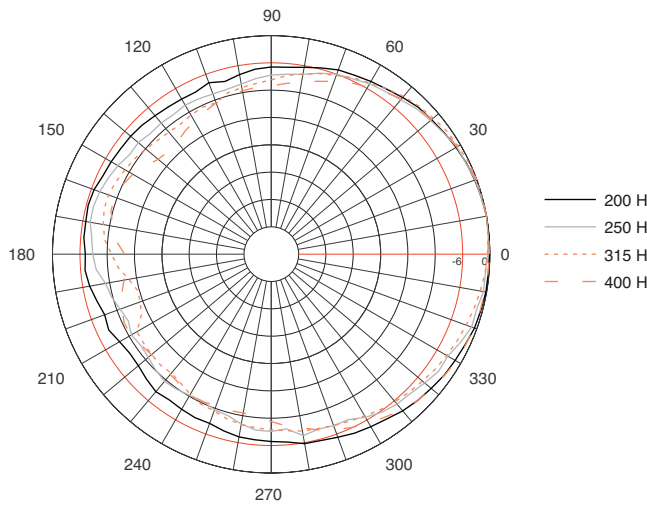


— 200 H  
— 250 H  
- - 315 H  
- - 400 H



— 500 H  
— 500 H

Vertical 1/3 Octave Polars



00 , . . . 2200  
132 . . .