

► **C 25AV-LS, T -Wa P e a C ac L d ea e L e/Sa e A ca**

Sa e a d Re a I a : D e :

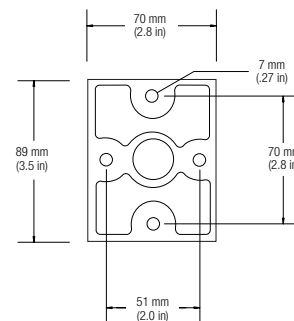
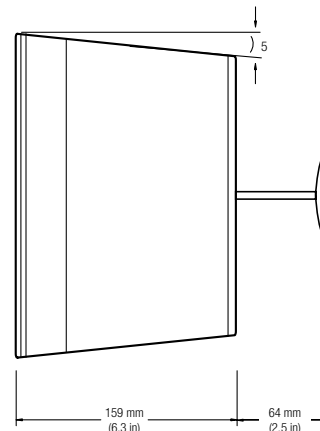
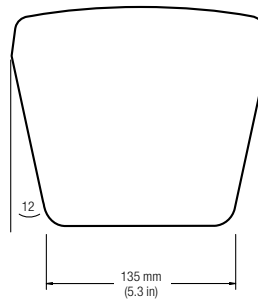
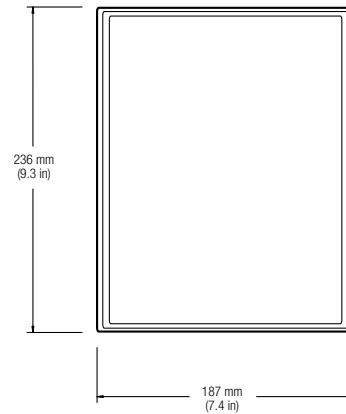
in compliance with the following specifications and uses:

a junction box (on-wall or in-wall).

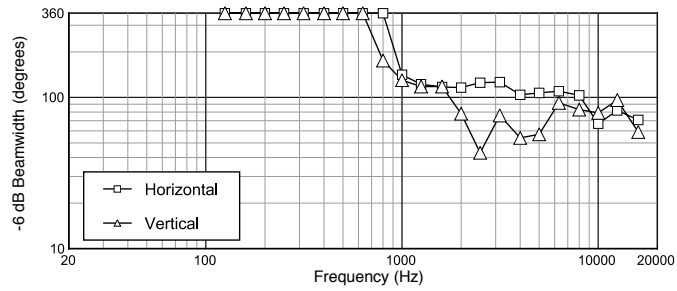
- General Purpose Use Listed UL-1480, Category UEAY
- Control 25AV-LS is suitable for use outdoors in
- Control 25AV-LS is suitable for use indoors in
- Suitable for installation using Class 1, Class 2 or Class 3 wiring methods in accordance with NFPA 70, National Electric Code, 2002, Article 640, and with NFPA 72 for use with non-DC supervised control panels / amplifiers.
- Suitable with fire alarm circuit wiring methods in accordance with NFPA 70, National Electric Code, 2002, Article 760, and with NFPA 72 for use with non-DC supervised control panels / amplifiers.
- EMC Directive 89/336/EEC and Article 10 (1) of the directive EN50081-1 and EN50082-1
- Tested to IEC 60268-5
- EN54-24 certified

Measured audibility for the Control 25AV-LS at 10 feet (3.1 meters) is:

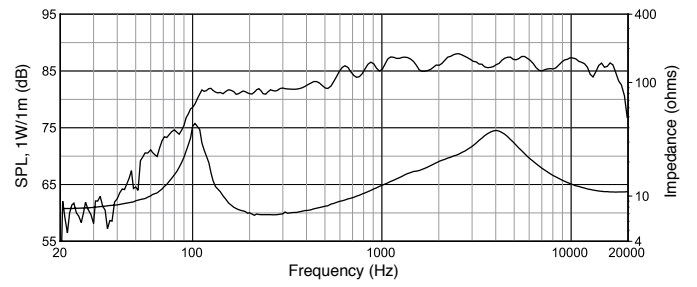
	Sound Pressure Level dB(A)
70V, 7.5W	80 dB
70V, 15W	83 dB
70V, 30W	86 dB
70V, 60W	88 dB
100V, 15W	83 dB
100V, 30W	86 dB
100V, 60W	88 dB
8 ohm	90 dB



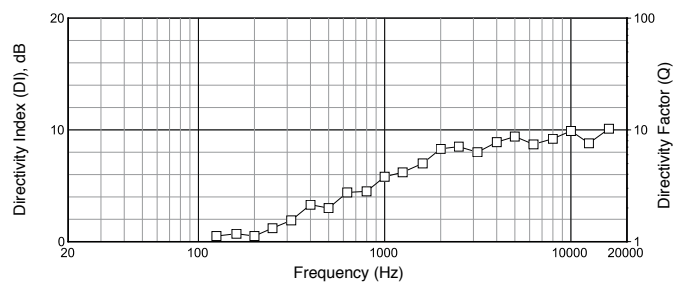
Beamwidth :



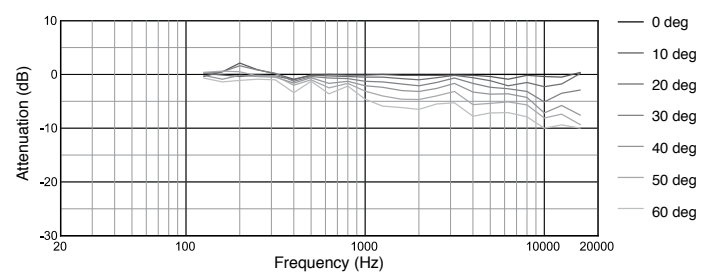
Frequency Response :



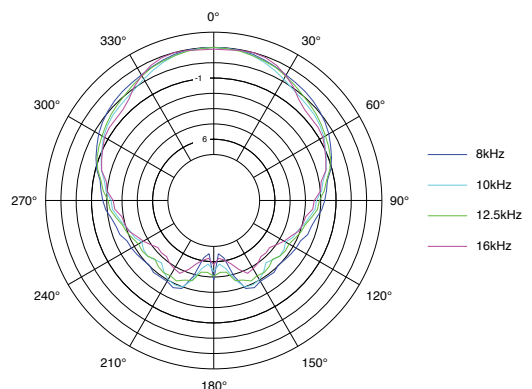
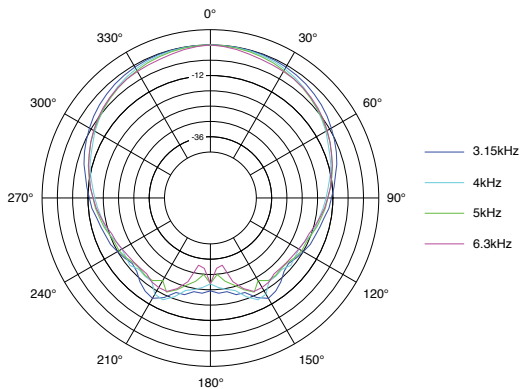
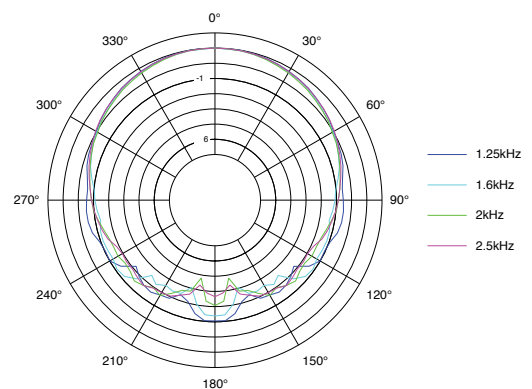
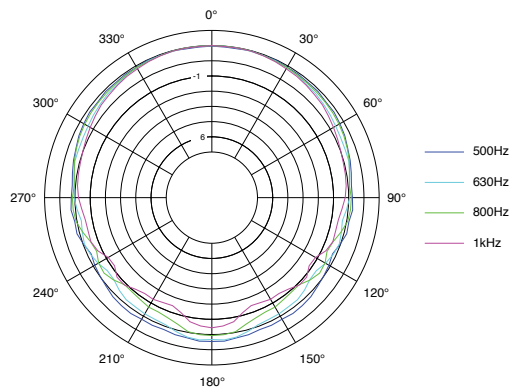
Directivity Index :



Half-Angle Frequency Response :

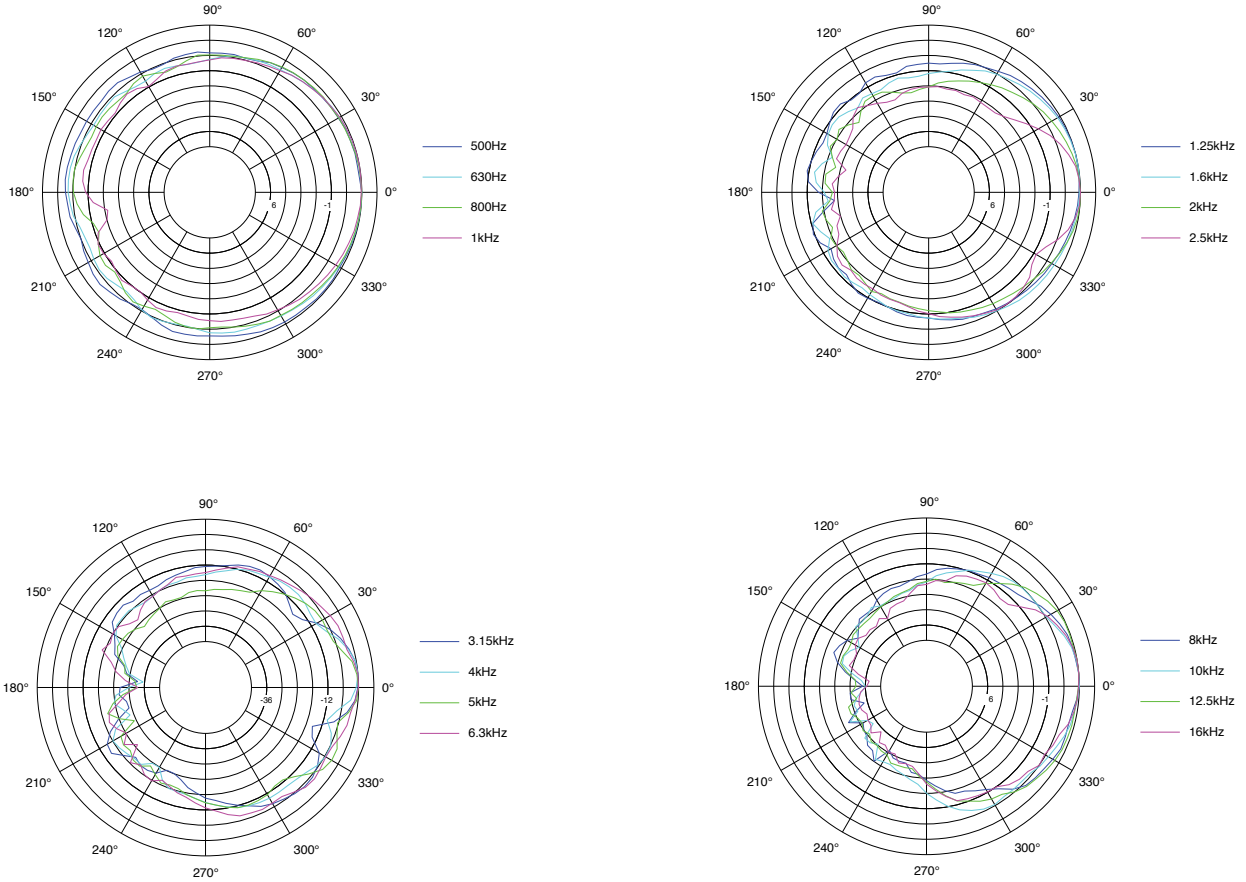


Half-Octave Pass :

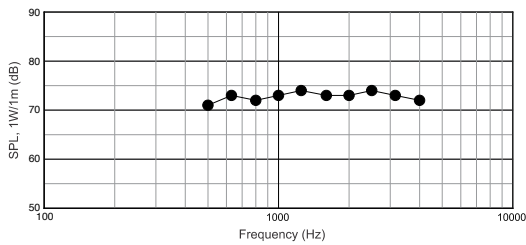


► C 25AV-LS, T -Wa P e a C ac L d ea e L e/Sa e A ca

Ve ca 1/3 Oca eP a :



O e-T dOca eC b Ma SPL (e EN54-24):



4m; 101 dB @ 1m) using specified broadband pink-noise signal, 60W tap setting, 1m (Contribution figures: 500 Hz = 71 dB; 630 Hz = 73 dB; 800 Hz = 72 dB; 1000 Hz = 73 dB; 1250 Hz = 74 dB; 1600 Hz = 73 dB; 2000 Hz = 73 dB; 2500 Hz = 74 dB; 3150 Hz = 73 dB; 4000 Hz = 72 dB).



PROFESSIONAL
by HARMAN

JBL Professional
8500 Balboa Boulevard, P.O. Box 2200
Northridge, California 91329 U.S.A.