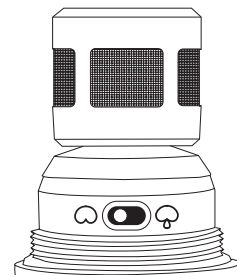


Shure KSM				•	
90				•	17
4:30	Shure Applications Engineering	8:00		•	
600-8440	49-7262-92490	847-		•	" "
2893-4290	www.shure.com	852-		•	
KSM9HS	KSM9			•	
KSM9HS				•	SPL
A				•	
	KSM9HS			•	
				•	(RFI)
•	3/4	Mylar			
					KSM9
•					KSM9HS
•	A				KSM9

KSM9HS

KSM9HS



110

48
11

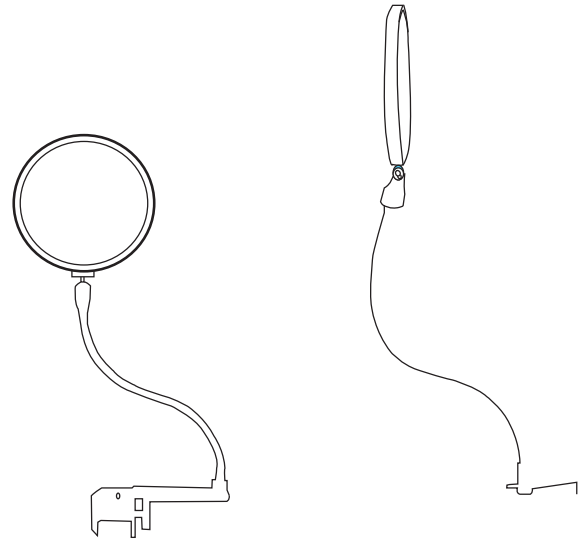
(IEC-61938)

XLR XLR XLR TRS

180

SPL

1000



()

50 20,000

145

, @ 1

	-50.5 / [1] (2.99)
	-53.0 / [1] (2.24)

1% THD 1 [2]

	2500	1000
	150.8	150.9
	153.0	153.1

[3]

	73.3 dB
	71.3 dB

@ 1

	2500	1000
	130.8 dB	130.1 dB
	131.3 dB	130.6 dB

20 20 , 1% THD

	2500	1000
	7.0 dBV	6.4 dBV

, A-

	20.7
	22.7

20 80,000

60 dB

(XLR)

2

3

11 52 V DC [4]

(IEC-61938) 5.4 mA,

0123

300 (10.6)

	A9SC
	A25E

	A85WS
--	-------

	RPM264
KSM9HS	RPM162
	RPM462
	RPM460

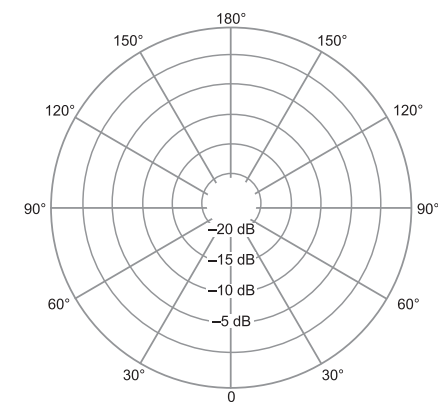
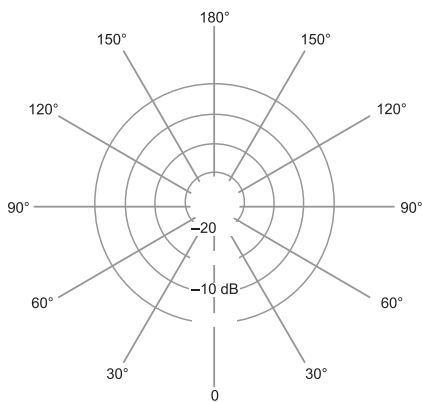
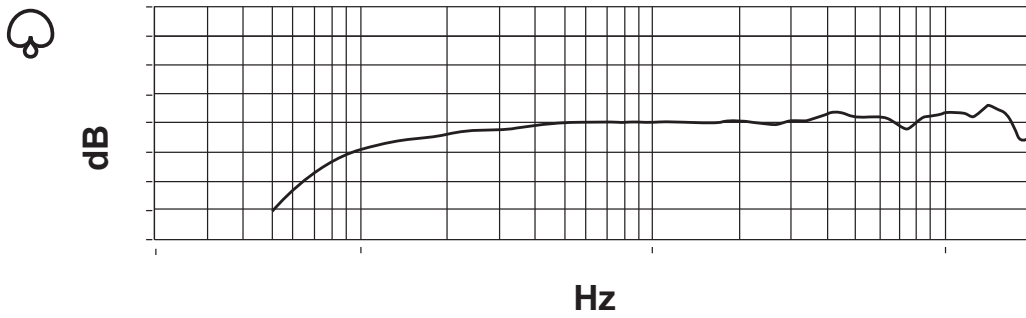
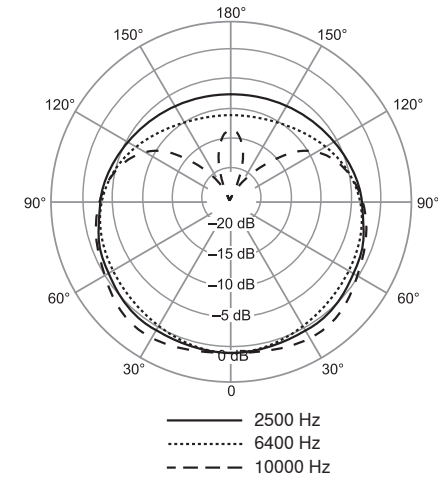
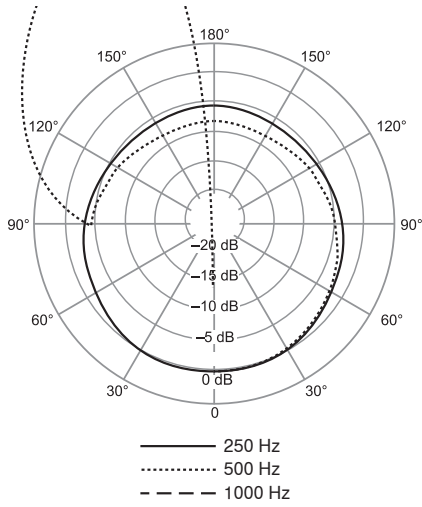
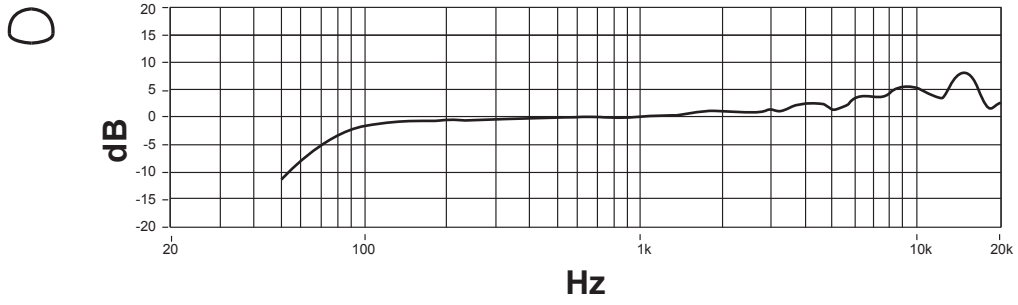
0 [1] 1 Pa=94 dB SPL

1 [2]

2 [3] 94 dB A

3 [4] 48





CE

"CE" " www.shure.com/europe/compliance

Shure Europe GmbH

Jakob-Dieffenbacher-Str.12
75031 Eppingen, Germany
+49-7262-92 49 0
+49-7262-92 49 11 4
info@shure.de

Trademark Notices: The circular S logo, the stylized Shure logo, and the word, "Shure" are registered trademarks of Shure Incorporated in the United States. "SHOCKSTOPPER" is a trademark of Shure Incorporated in the United States. "Mylar" is a registered trademark of E. I. DuPont de Nemours and Company in the United States. These marks may be registered in other jurisdictions.